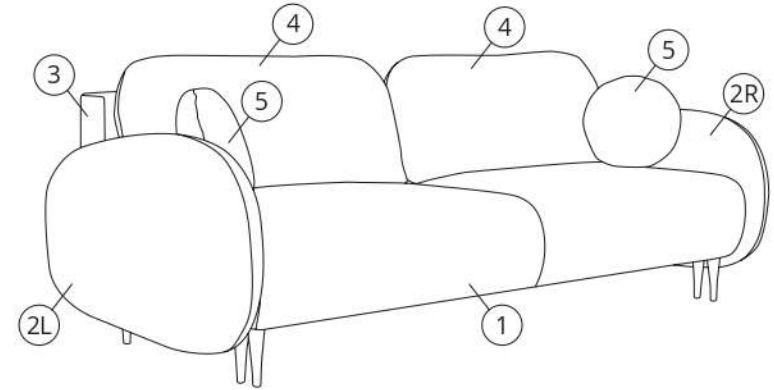
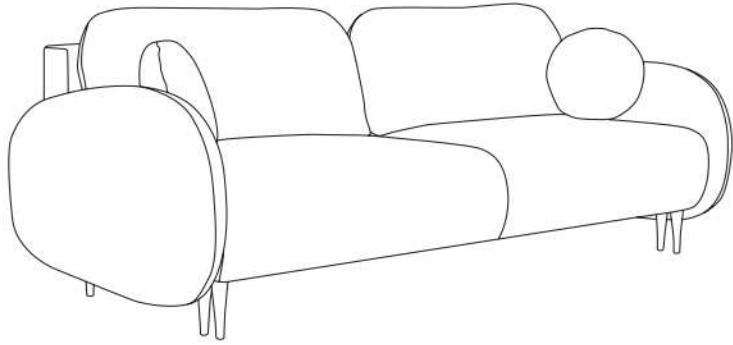


SOFIN



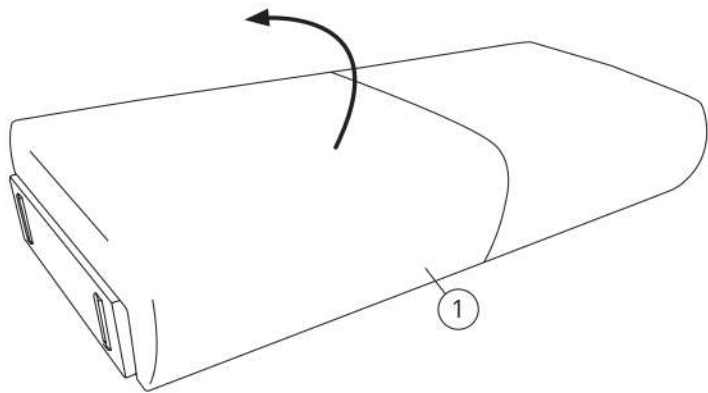
30 min.



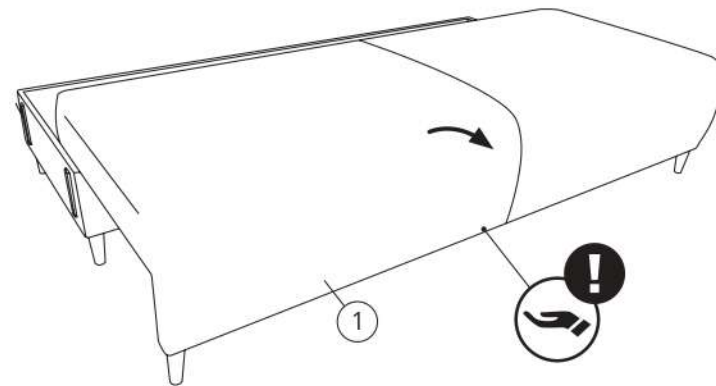
GT18
h = 160 mm



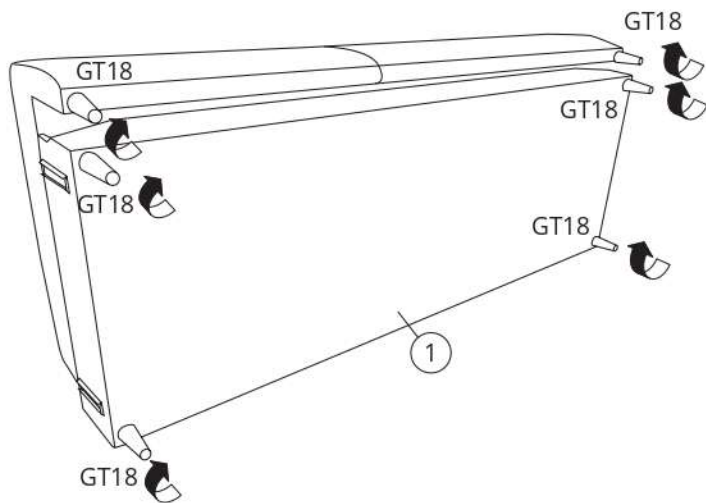
1



3



2

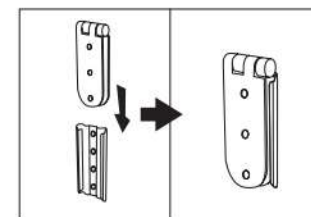
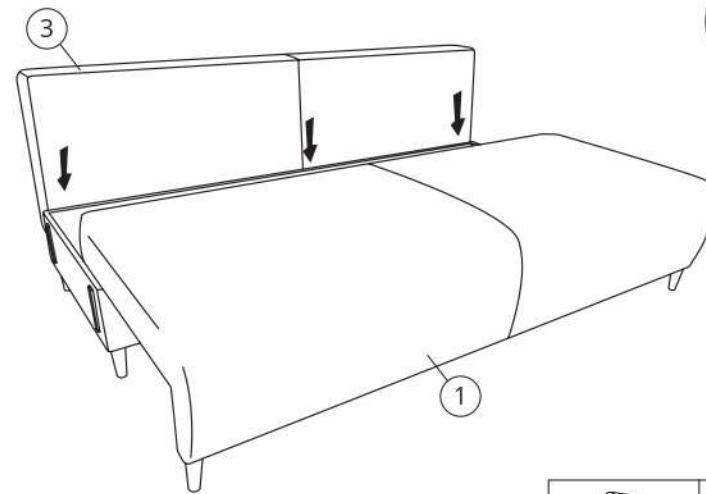


GT18
h = 160 mm

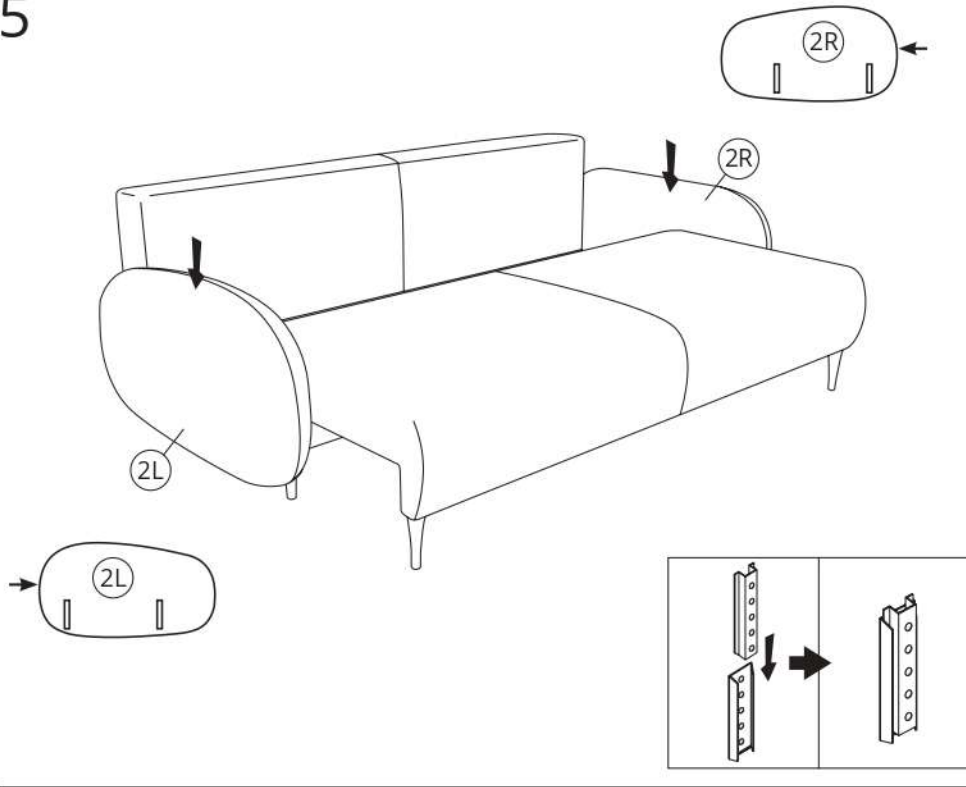


x6

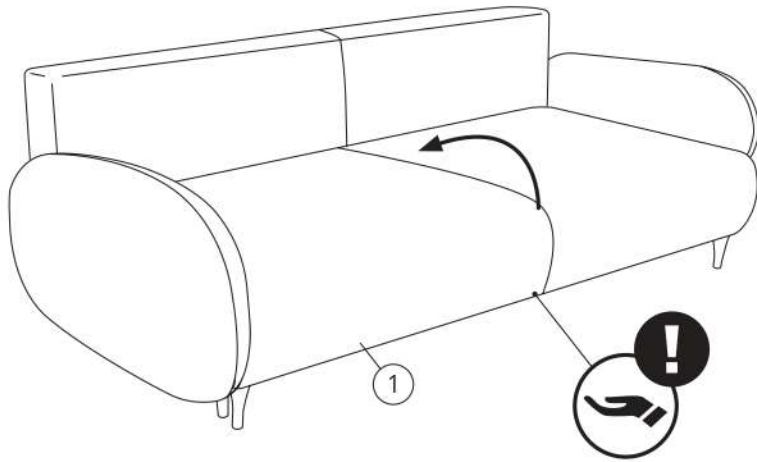
4



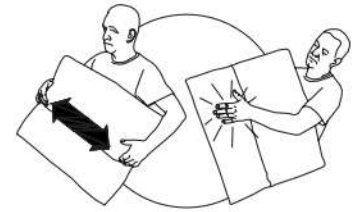
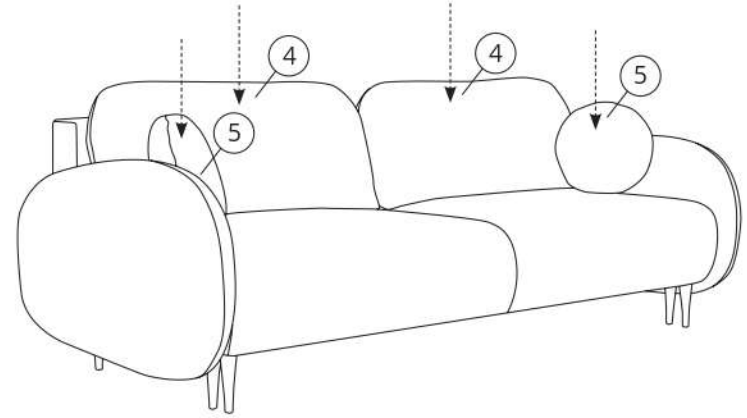
5

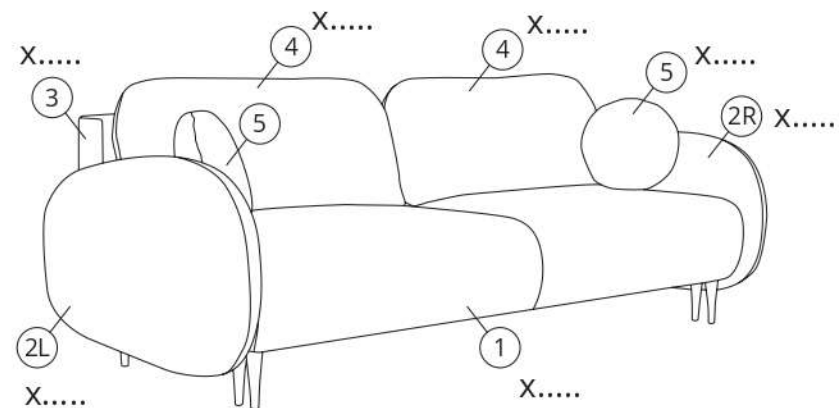
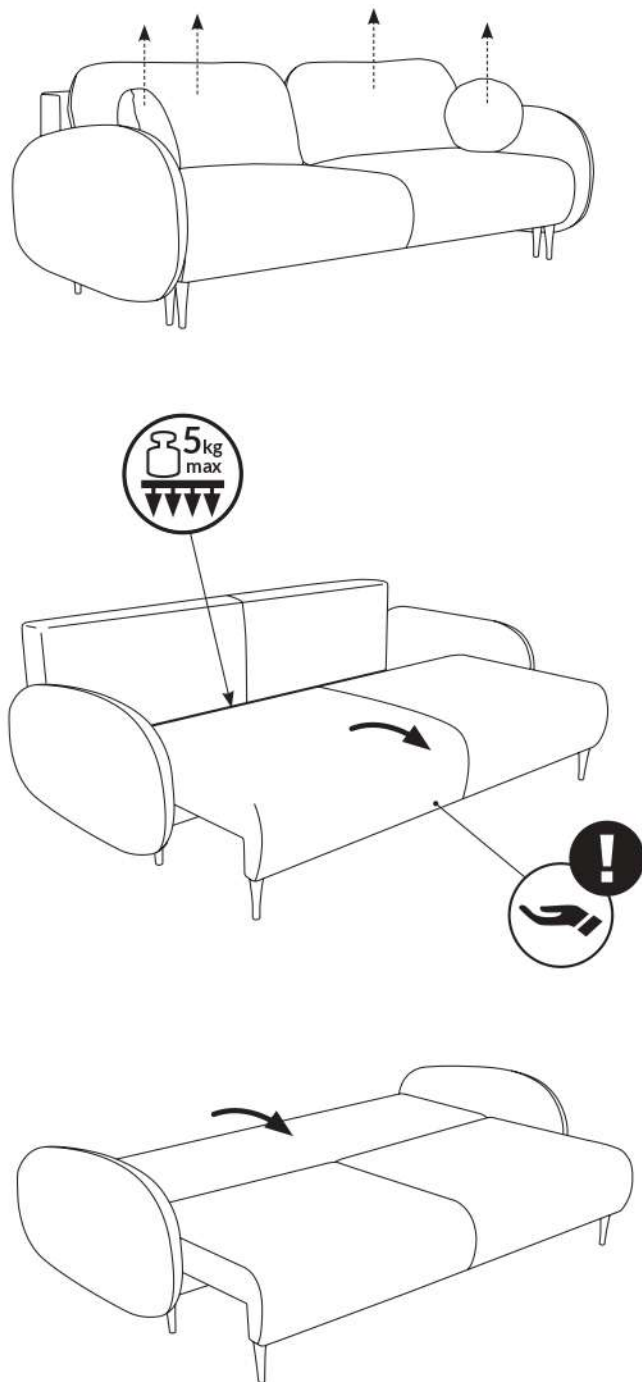


6



7





GT18

h = 160 mm



X.....

